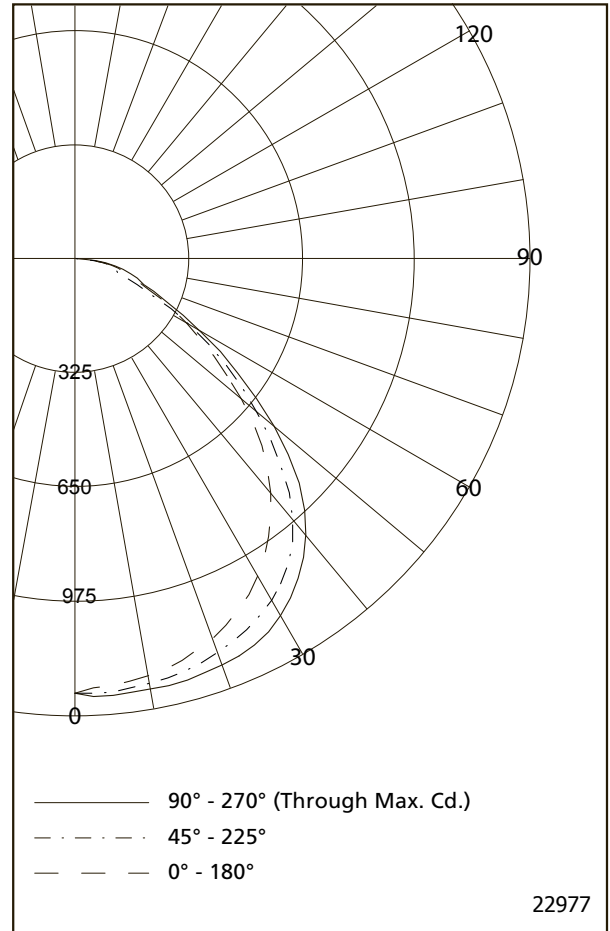


Number of Lamps	2
Lumens per Lamp	2080
Total Rated Lamp Lumens	4160
Total Luminaire Watts	44
Total Luminaire Efficiency	77.6%
Luminaire Efficacy Rating (LER)	73
Spacing Criteria (0-180)	1.3
Spacing Criteria (90-270)	1.4

Ballast Factor is 1.00.
 Calculations prepared from these data should include corrected ballast factor

ZONAL LUMEN SUMMARY

Zone	Lumens	% Lamp	% Luminaire
0-30	996	23.95	30.86
0-40	1,648	39.64	51.08
0-60	2,753	66.18	85.28
0-90	3,228	77.61	100.00
40-90	1,579	37.97	48.92
60-90	475	11.42	14.72
90-180	0	0.00	0.00
0-180	3,228	77.61	100.00



COEFFICIENTS OF UTILIZATION - ZONAL CAVITY METHOD

EFFECTIVE FLOOR CAVITY REFLECTANCE = 20

CC	90				80				70				50			30			10			0
WALL	70	50	30	10	70	50	30	10	70	50	30	10	50	30	10	50	30	10	50	30	10	0
RCR																						
0	95	95	95	95	92	92	92	92	90	90	90	90	92	92	92	83	83	83	92	92	92	78
1	88	84	81	78	86	82	79	77	84	81	78	76	86	82	79	74	73	71	86	82	79	67
2	81	75	70	66	79	73	69	65	77	72	68	64	79	73	69	67	64	61	79	73	69	58
3	74	67	61	56	73	66	60	56	71	64	59	55	73	66	60	60	57	53	73	66	60	51
4	69	60	53	48	67	59	53	48	66	58	52	48	67	59	53	54	50	47	67	59	53	44
5	64	54	47	42	62	53	46	41	60	52	46	41	62	53	46	49	44	40	62	53	46	38
6	59	48	41	37	57	47	41	36	56	47	40	36	57	47	41	44	39	35	57	47	41	34
7	54	43	37	32	53	43	36	32	51	42	36	32	53	43	36	40	35	31	53	43	36	29
8	50	39	32	28	48	38	32	28	47	38	32	27	48	38	32	36	31	27	48	38	32	25
9	46	35	28	24	45	35	28	24	44	34	28	24	45	35	28	32	27	23	45	35	28	22
10	42	32	25	21	41	31	25	21	40	31	25	21	41	31	25	29	24	21	41	31	25	19